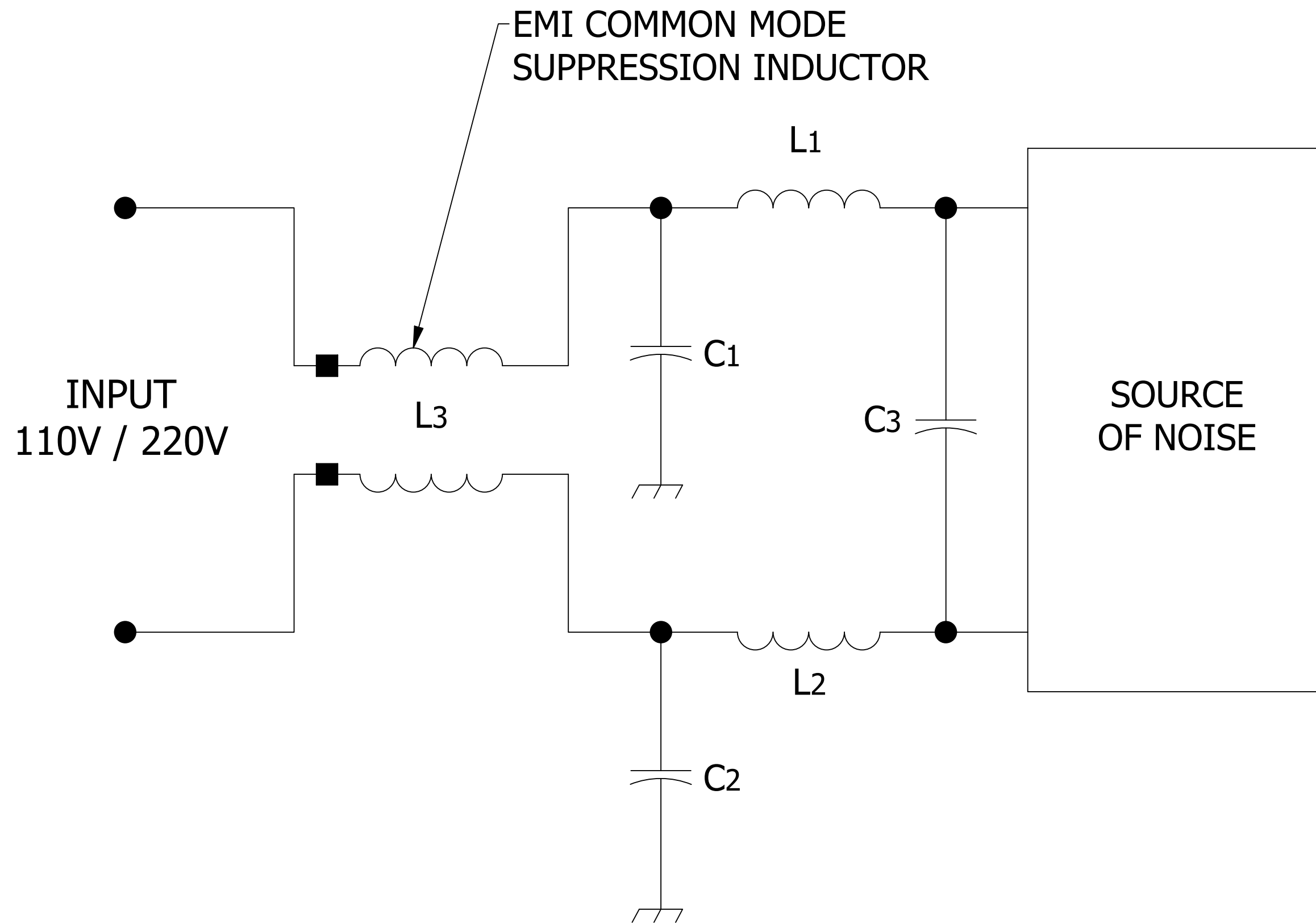


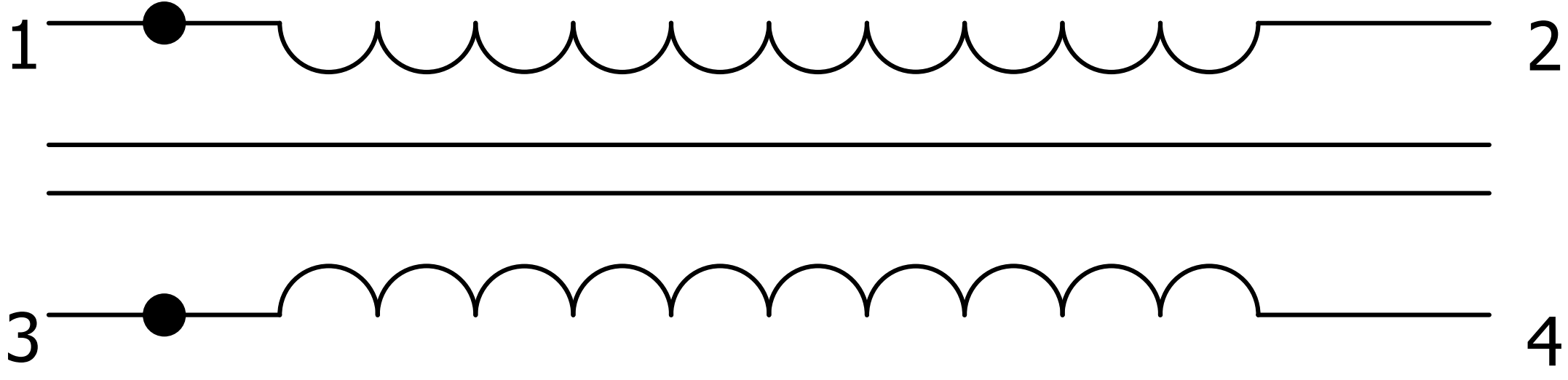
TYPICAL APPLICATION CIRCUIT [46000 SERIES]



A TYPICAL CIRCUIT FOR THE ELIMINATION OF NOISE IS SHOWN ABOVE. THE FILTER CONTAINS TWO STAGES; ONE FOR COMMON MODE NOISE [L3, C1, C2] AND ONE FOR CONDUCTED NOISE [L1, L2, C3]

DRAWN	P.PALUCH	PICO Electronics	143 Sparks Ave Village of Pelham, NY 10803	
CHECKED	H. VIDAURRE			
QA		46000 SERIES		
MFG				
APPROVED		SIZE	DWG NO	REV
REVISION DATE	06/06/2023	C		1
		SCALE NTS	www.picoelectronics.com	

TERMINAL ARRANGEMENT [46000 SERIES]



DRAWN	P.PALUCH	PICO	143 Sparks Ave Village of Pelham, NY 10803	
CHECKED	H. VIDAURRE		Electronics	
QA		46000 SERIES		
MFG				
APPROVED				
REVISION DATE	06/06/2023	SIZE C	DWG NO	REV 1
		SCALE NTS	www.picoelectronics.com	